

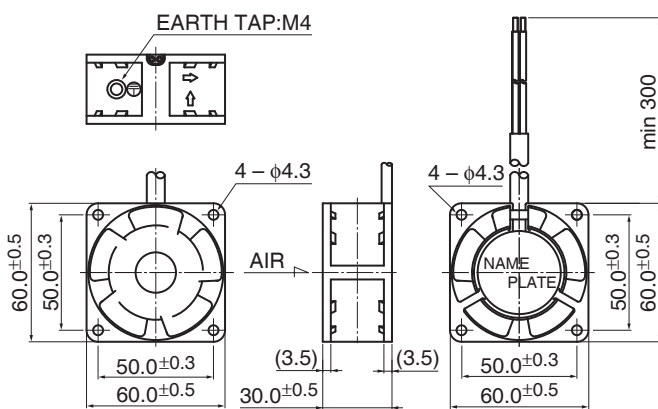
06030PB (旧2412PS)

60□ × 30^L

AC Axial Fan

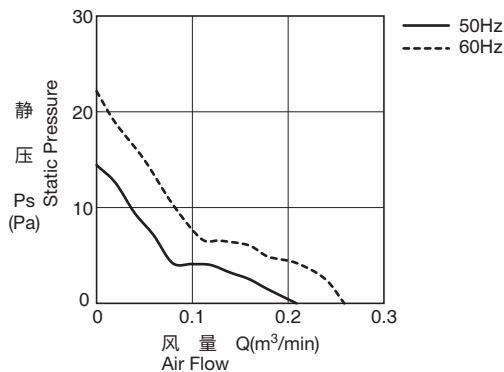


■ 外观图 Outline



*壳体仅限法兰型 Only flange type casing is available.

■ 特性曲线 Characteristic Curves



■ 一般规格 General Specifications

| | |
|------------------------------|---|
| 电机结构: | 罩极式感应电机 |
| Motor Structure | Shaded Pole Induction Motor |
| 电机保护: | 阻抗保护 |
| Motor Protection | Impedance Protection |
| 绝缘电阻: | 用DC500V兆欧表测量, 应在100MΩ以上 |
| Insulation Resistance | Min 100MΩ by DC 500V Megger |
| 绝缘耐压: | AC1800V 3s |
| Dielectric Withstand Voltage | |
| 容许环境温度范围: | -10°C~+70°C (Operating) |
| Allowable Ambient | -40°C~+70°C (Storage) |
| Temperature Range | 正常使用状态下应无结露 non-condensing environment |

■ 预期寿命 Expected Life

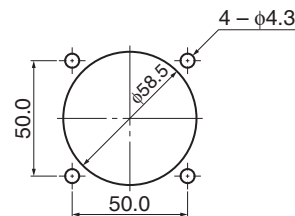
※故障率10% (L10使用寿命)

※Failure Rate: 10%(L10 Life)

25°C 100,000小时(Hours)

■ 安装孔参考图 Panel Out-cuts

进气侧(Inlet Side) / 排气侧(Outlet Side)



■ 材质 Material

壳体 : 铝合金(黑色涂装)
叶轮 : 塑料(黑色)UL94V-0
轴承 : 滚珠轴承
导线 : UL3266, AWG22

Casing : Aluminum (Black Painting)
Impeller : Plastic (Black) UL94V-0
Bearing : Ball Bearing
Lead Wire: UL3266, AWG22

■ 规格 Specifications

| 型号 Model | 管理编号 Product No. | 额定电压 | 频率 | 启动电压 | 额定电流 | 额定输入 | 额定转速 | 最大风量 | | 最大静压 | | 噪音 | 重量 |
|-----------------|---------------------|-----------------------|-------------------|-------------------------|------------------------------|---|---|--|---------------------|--|-------------------------------------|--------------------|-------------|
| | | Rating Voltage (V) | Frequency (Hz) | Starting Voltage (V) | Current (A) ^{*2} | Input Power (W) ^{+10% -20%} | Speed (min ⁻¹) ^{*3} | Max. Air Flow (m ³ /min) ^{*1} | (CFM) ^{*1} | Max. Static Pressure (Pa) ^{*1} | (In H ₂ O) ^{*1} | (dB) ^{*1} | Mass (g) |
| 06030PB-A0L-AA- | 00 | 100 | 50 | 65 | 0.080 | 6.0 | 2000 | 0.20 | 7.1 | 13.7 | 0.05 | 28.0 | 140 |
| | | | 60 | | 0.070 | 5.0 | 2600 | 0.26 | 9.3 | 22.6 | 0.09 | 29.0 | |
| 06030PB-A1L-AA- | 00 | 115 | 50 | 65 | 0.070 | 4.5 | 2000 | 0.20 | 7.1 | 13.7 | 0.05 | 28.0 | |
| | | | 60 | | 0.060 | 4.0 | 2600 | 0.26 | 9.3 | 22.6 | 0.09 | 29.0 | |

旋转方向: 从标签方向观察时为逆时针方向
送风方向: 标签侧

Rotation: Counterclockwise as seen from the label side
Airflow Outlet: Label side

*1: Average Values in Free Air
*2: Maximum Values in Free Air
*3: Minimum Values in Free Air