

15038PB 树脂叶片 (旧5915PC)

150 × Φ172 × 38^L

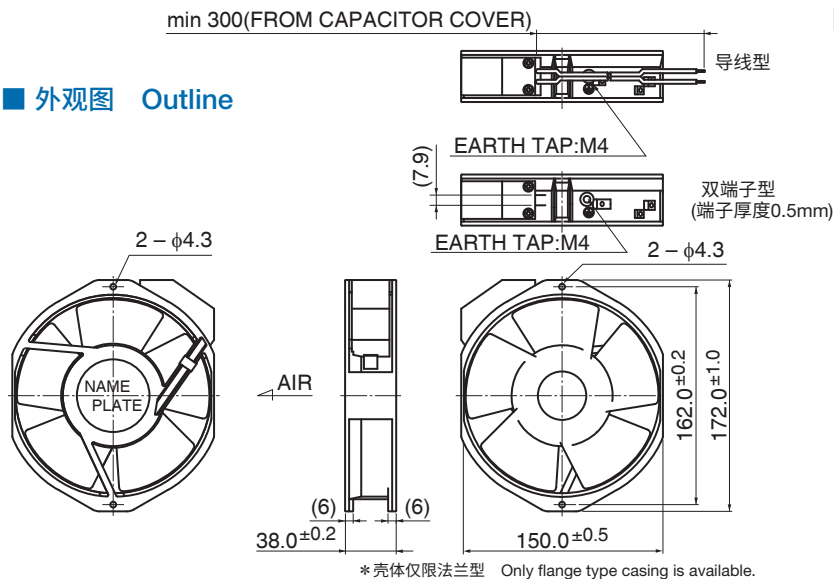
AC Axial Fan / Plastic Blades



■ 一般规格 General Specifications

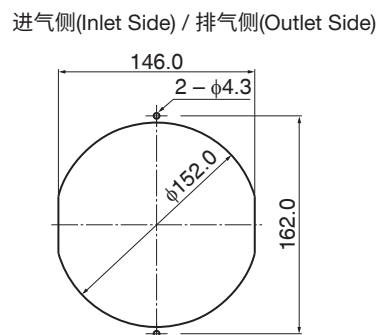
- 电机结构: 电容型感应电机
Motor Structure: Capacitor-Run Induction Motor
- 电机保护: 过热保护
Motor Protection: Thermal Protection
- 绝缘电阻: 用DC500V兆欧表测量, 应在100MΩ以上
Insulation Resistance: Min 100MΩ by DC 500V Megger
- 绝缘耐压: AC1800V 3s
Dielectric Withstand Voltage: AC1800V 3s
- 容许环境温度范围: -10°C ~ +70°C (Operating)
Allowable Ambient Temperature Range: -40°C ~ +70°C (Storage)
- 正常使用状态下应无结露
non-condensing environment

■ 外观图 Outline

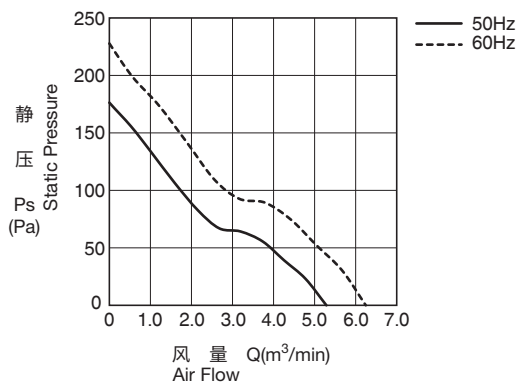


- ### ■ 预期寿命 Expected Life
- ※故障率10% (L10使用寿命) ※Failure Rate: 10%(L10 Life)
 - 25°C 100,000小时(Hours)

■ 安装孔参考图 Panel Out-cuts



■ 特性曲线 Characteristic Curves



■ 材质 Material

- 壳体: 铝合金(黑色涂装)
- 叶轮: 塑料(黑色)UL94V-0
- 轴承: 滚珠轴承
- 端子: FASTON#110的同等产品

- Casing: Aluminum (Black Painting)
- Impeller: Plastic (Black) UL94V-0
- Bearing: Ball Bearing
- Terminal: Faston #110 or Equip

* 也可提供灌封式(防尘防水型)。Potting type (dust & water-proof type) is also available.
* 也可提供导线型。请另行咨询。Lead Wire type is also available.
导线: SPT-1 2X0.824mm² AWG18
Lead Wire

■ 规格 Specifications

型号 Model	管理编号 Product No.	额定电压	频率	启动电压	额定电流	额定输入	额定转速	最大风量		最大静压		噪音	重量
		Rating Voltage (V)	Frequency (Hz)	Starting Voltage (V)	Current (A) ^{*2}	Input Power (W) ^{+10% -20%}	Speed (min ⁻¹) ^{*3}	Max. Air Flow (m ³ /min) ^{*3}	Max. Air Flow (CFM) ^{*3}	Max. Static Pressure (Pa) ^{*3}	Max. Static Pressure (In H ₂ O) ^{*3}	Noise (dB) ^{*1}	Mass (g)
15038PB-A0L-EP-	00	100	50	65	0.470	37.0	2700	5.00	178.6	156.9	0.63	52.0	800
			60		0.440	33.0	3200	6.00	214.3	215.8	0.86	56.0	
15038PB-A1L-EP-	00	115	50	75	0.380	35.0	2700	5.00	178.6	156.9	0.63	52.0	
			60		0.360	32.0	3200	6.00	214.3	215.8	0.86	56.0	
15038PB-B0L-EP-	00	200	50	130	0.230	34.0	2700	5.00	178.6	156.8	0.63	52.0	
			60		0.210	33.0	3200	6.00	214.3	215.6	0.86	56.0	
15038PB-B2L-EP-	00	220	50	145	0.210	40.0	2700	5.00	178.6	156.9	0.63	52.0	
			60		0.180	38.0	3200	6.00	214.3	215.8	0.86	56.0	
15038PB-B3L-EP-	00	230	50	145	0.190	35.0	2700	5.00	178.6	157.0	0.63	52.0	
			60		0.180	35.0	3200	6.00	214.3	215.8	0.86	56.0	
15038PB-B4L-EP-	00	240	50	155	0.180	34.0	2700	5.00	178.6	156.9	0.63	52.0	
			60		0.170	34.0	3200	6.00	214.3	215.7	0.86	56.0	

旋转方向: 从标签方向观察时为逆时针方向
送风方向: 标签侧

Rotation: Counterclockwise as seen from the label side
Airflow Outlet: Label side

*1: Average Values in Free Air
*2: Maximum Values in Free Air
*3: Minimum Values in Free Air