

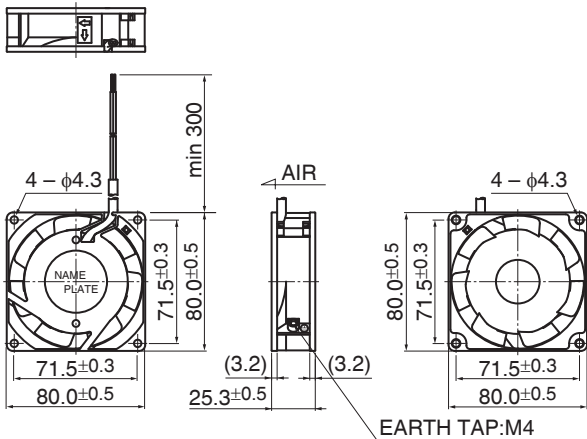
08025MB (旧3110MS)

80□ × 25^L

AC Axial Fan

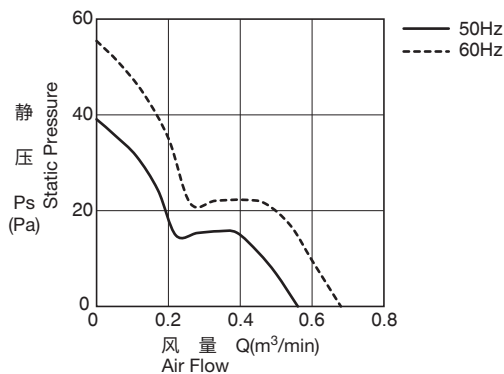


外观图 Outline



*壳体仅限法兰型 Only flange type casing is available.

特性曲线 Characteristic Curves



一般规格 General Specifications

电机结构:	罩极式感应电机
Motor Structure	Shaded Pole Induction Motor
电机保护:	阻抗保护
Motor Protection	Impedance Protection
绝缘电阻:	用DC500V兆欧表测量, 应在100MΩ以上
Insulation Resistance	Min 100MΩ by DC 500V Megger
绝缘耐压:	AC1800V 3s
Dielectric Withstand Voltage	
容许环境温度范围:	-10°C~+70°C (Operating)
Allowable Ambient Temperature Range	-40°C~+70°C (Storage)
	正常使用状态下应无结露 non-condensing environment

预期寿命 Expected Life

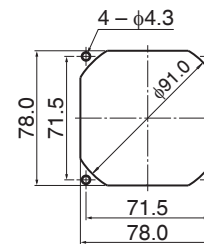
※故障率10% (L10使用寿命)

※Failure Rate: 10%(L10 Life)

25°C 100,000小时(Hours)

安装孔参考图 Panel Out-cuts

进气侧(Inlet Side) / 排气侧(Outlet Side)



材质 Material

壳体	: 铝合金(黑色涂装)
叶轮	: 塑料(黑色)UL94V-0
轴承	: 滚珠轴承
导线	: UL3266, AWG22

Casing	: Aluminum (Black Painting)
Impeller	: Plastic (Black) UL94V-0
Bearing	: Ball Bearing
Lead Wire	: UL3266, AWG22

* 也可提供灌封式(防尘防水型)。

Potting type (dust & water-proof type) is also available.

规格 Specifications

型号 Model	管理编号 Product No.	额定电压	频率	启动电压	额定电流	额定输入	额定转速	最大风量		最大静压		噪音	重量
		Rating Voltage (V)	Frequency (Hz)	Starting Voltage (V)	Current (A)*2	Input Power (W) ^{+10% -20%}	Speed (min ⁻¹)*3	Max. Air Flow (m ³ /min)*1	(CFM)*1	Max. Static Pressure (Pa)*1	(In H ₂ O)*1	Noise (dB)*1	Mass (g)
08025MB-A0L-AA-	00	100	50	65	0.130	8.0	2500	0.57	20.4	39.0	0.16	24.0	240
			60		0.110	6.5	3000	0.68	24.3	55.0	0.22	31.0	
08025MB-A1L-AA-	00	115	50	75	0.110	8.0	2500	0.57	20.4	39.0	0.16	24.0	
			60		0.090	6.5	3000	0.68	24.3	55.0	0.22	31.0	
08025MB-B0L-AA-	00	200	50	130	0.060	7.0	2500	0.57	20.4	39.0	0.16	24.0	
			60		0.050	6.0	3000	0.68	24.3	55.0	0.22	31.0	
08025MB-B2L-AA-	00	220	50	165	0.055	7.5	2500	0.57	20.4	39.0	0.16	24.0	
			60		0.045	6.5	3000	0.68	24.3	55.0	0.22	31.0	
08025MB-B3L-AA-	00	230	50	180	0.050	7.5	2500	0.57	20.4	39.0	0.16	24.0	
			60		0.045	6.5	3000	0.68	24.3	55.0	0.22	31.0	
08025MB-B4L-AA-	00	240	50	180	0.050	7.5	2500	0.57	20.4	39.0	0.16	24.0	
			60		0.045	6.5	3000	0.68	24.3	55.0	0.22	31.0	

旋转方向: 从标签方向观察时为逆时针方向
送风方向: 标签侧

Rotation: Counterclockwise as seen from the label side
Airflow Outlet: Label side

*1: Average Values in Free Air
*2: Maximum Values in Free Air
*3: Minimum Values in Free Air