

# 11938MB (旧4715MS)

# 119□×38<sup>L</sup>

## AC Axial Fan



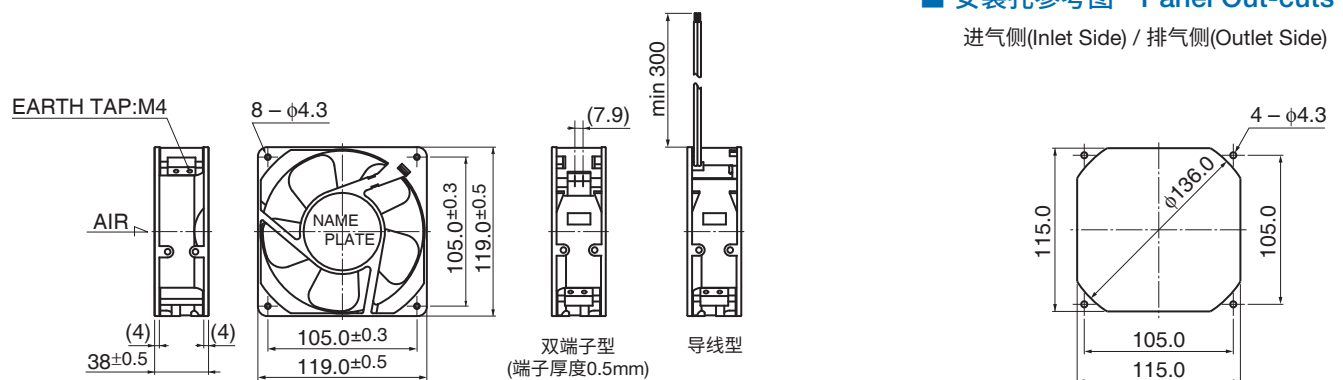
### ■ 一般规格 General Specifications

- 电机结构: 罩极式感应电机  
Motor Structure Shaded Pole Induction Motor
- 电机保护: 阻抗保护  
Motor Protection Impedance Protection
- 绝缘电阻: 用DC500V兆欧表测量, 应在100MΩ以上  
Insulation Resistance Min 100MΩ by DC 500V Megger
- 绝缘耐压: AC1800V 3s  
Dielectric Withstand Voltage
- 容许环境温度范围: -10°C~+70°C (Operating)  
Allowable Ambient Temperature Range -40°C~+70°C (Storage)
- 正常使用状态下应无结露  
non-condensing environment

### ■ 预期寿命 Expected Life

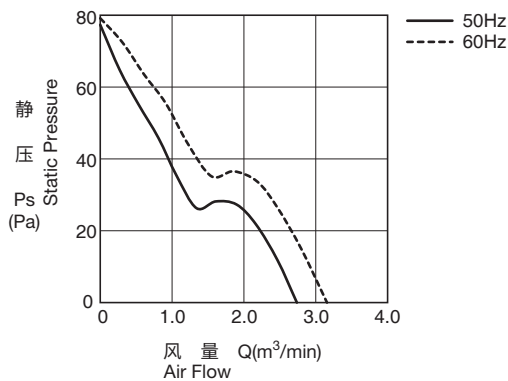
- ※故障率10% (L10使用寿命)  
※Failure Rate: 10%(L10 Life)
- 25°C 100,000小时(Hours)

### ■ 外观图 Outline



\*壳体仅限法兰型 Only flange type casing is available.

### ■ 特性曲线 Characteristic Curves



### ■ 材质 Material

- 壳体 : 铝合金(黑色涂装)
- 叶轮 : 塑料(黑色)UL94V-0
- 轴承 : 滚珠轴承
- 端子 : FASTON#110的同等产品
- Casing : Aluminum (Black Painting)
- Impeller : Plastic (Black) UL94V-0
- Bearing : Ball Bearing
- Terminal : Faston #110 or Equiv
- \* 也可提供导线型。请另行咨询。  
Lead Wire type is also available.
- 导线 : UL3266, AWG22  
Lead Wire

### ■ 规格 Specifications

型号 Model	管理编号 Product No.	额定电压	频率	启动电压	额定电流	额定输入	额定转速	最大风量		最大静压		噪音	重量
		Rating Voltage (V)	Frequency (Hz)	Starting Voltage (V)	Current (A)*2	Input Power (W) <sup>+10% -20%</sup>	Speed (min <sup>-1</sup> )*3	m <sup>3</sup> /min)*3	CFM)*3	(Pa)*3	(In H <sub>2</sub> O)*3	(dB)*1	Mass (g)
11938MB-A0N-EA-	00	100	50	65	0.270	15.0	2600	2.50	89.3	64.7	0.26	37.0	550
			60		0.230	14.0	2900	2.90	103.6	76.4	0.31	41.0	
11938MB-A1N-EA-	00	115	50	65	0.250	15.5	2600	2.50	89.3	64.7	0.26	37.0	
			60		0.210	14.5	2900	2.90	103.6	76.4	0.31	41.0	
11938MB-B0N-EA-	00	200	50	130	0.140	15.0	2600	2.50	89.3	64.7	0.26	37.0	
			60		0.120	13.0	2900	2.90	103.6	76.5	0.31	41.0	
11938MB-B2N-EA-	00	220	50	145	0.120	14.0	2600	2.50	89.3	63.8	0.26	37.0	
			60		0.100	13.0	2900	2.90	103.6	75.6	0.30	41.0	
11938MB-B3N-EA-	00	230	50	175	0.120	15.0	2600	2.50	89.3	63.8	0.26	37.0	
			60		0.100	14.0	2900	2.90	103.6	70.7	0.28	41.0	
11938MB-B4N-EA-	00	240	50	140	0.110	14.0	2600	2.50	89.3	63.8	0.26	37.0	
			60		0.100	13.0	2900	2.90	103.6	65.7	0.26	41.0	

旋转方向: 从标签方向观察时为逆时针方向  
Rotation: Counterclockwise as seen from the label side  
送风方向: 标签侧  
Airflow Outlet: Label side

\*1: Average Values in Free Air  
\*2: Maximum Values in Free Air  
\*3: Minimum Values in Free Air